



# ColorSplash®

LED Light Fixture

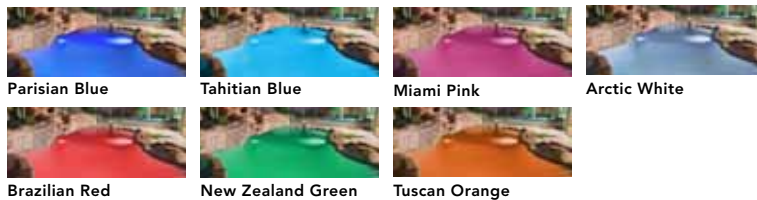
## IN-GROUND LED LIGHT FIXTURE



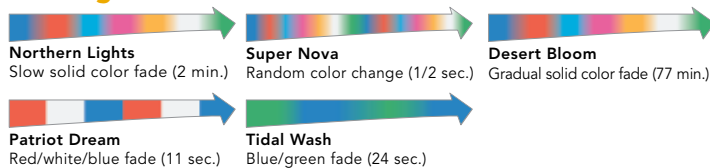
Parisian Blue

**Color Splash** Multi-Color LED Light Fixtures instantly transform any in-ground pool into a custom illuminated paradise. These LED Light Fixtures offer multiple colors and shows to create the ideal ambiance for playing, relaxing or entertaining, while providing immediate energy cost savings.

### Seven Solid Colors



### Five Light Shows



### Color Splash Advantages:

- Designed to produce optimum brightness in any size, shape or finish pool
- Seven solid colors, five shows, and multiple color blends – customizable experience
- Color Lock and Show Lock functionality – easy lighting selection
- Uses only 33 watts – reduce energy use by 90%\*

\*Compared to incandescent lamps

Polished (shown) or Matte faceplate available.



## PERFORMANCE FEATURES

**Advanced processor delivers seamless color transitions**

**High Output LEDs optimize color saturation and light intensity**

**Industry Leading 3-year Warranty 50,000 hours**

**Multiple lights synchronize for ease of use**

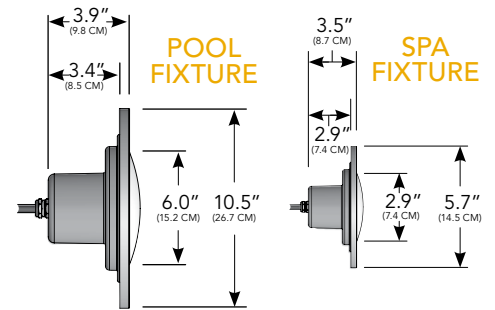




## SAME COLOR SPLASH TECHNOLOGY WITH SUPERIOR RUGGED CONSTRUCTION



### DIMENSIONS



### USAGE COST COMPARISON

	Color Splash LED Light Fixture	INCANDESCENT			
		300W	400W	500W	
Watts	33	300	400	500	
Annual Energy Cost*	\$9	\$85	\$113	\$141	
Annual Maintenance Cost **	\$0	\$175	\$175	\$175	
Total Annual Usage Cost	\$9	\$260	\$288	\$316	
		<b>Color Splash Savings</b>	<b>\$247</b>	<b>\$275</b>	<b>\$303</b>
<b>COSTS UNDER \$0.04 PER NIGHT TO OPERATE!</b>					

\*Based on 6 hours of usage per day, 365 days per year. Based on electricity cost of \$0.129 per kWh.

\*\*Based on replacing bulb and gasket one time at \$50 per replacement and one hour of labor per replacement at \$125/hr.

### Ordering Information

#### COLOR SPLASH FIXTURE - POOL SERIES

Part Number	Voltage	Cord Length (ft)	Faceplate
LPL-F1C	XX 120,12	XX 30, 50,100, 150	X P=Polished M=Matte

Power Consumption: 33W

Niche Compatibility:

Pentair®: 78210400, 78210500, 78210600, 78210700, 9206700  
 Hayward®: SP0604C, SP0600U  
 Jandy®: PLNICLRG, SSNICLRG1R, SSNICLRG1S  
 Jacuzzi®: 94131234

#### COLOR SPLASH FIXTURE - SPA SERIES

Part Number	Voltage	Cord Length (ft)	Faceplate
LPL-S1C	XX 120,12	XX 30, 50,100, 150	X P=Polished M=Matte

Power Consumption: 9W

Niche Compatibility:

Pentair®: 78244200, 78244300, 78243200, 78243300, 79206600  
 Hayward®: SP0606C, SP0610C  
 Jandy®: PLNICSM, SSNICSM1R, SSNICSM1S