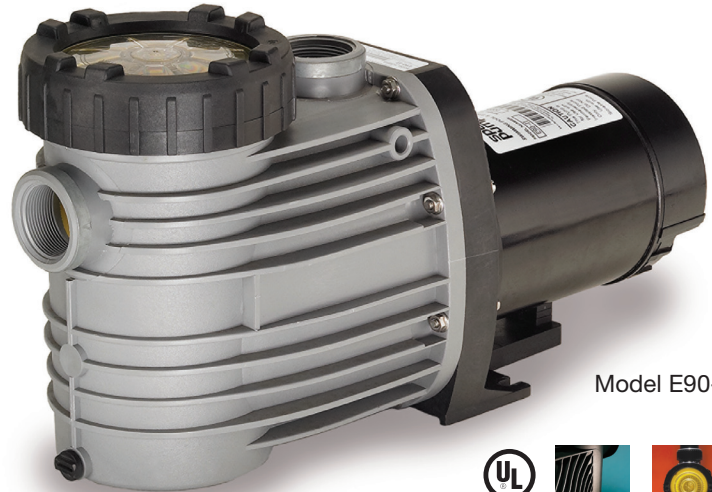


# MODEL E90



## Swimming Pool Pump

The Speck Model E90 medium head pump has been engineered for durability and quiet performance with economy in mind. This all-around, self-priming pump with large pump basket is ideally suited for all above-ground, on-ground and small in-ground pools. The Model E90 is designed using 100% recyclable "environment friendly" plastics.



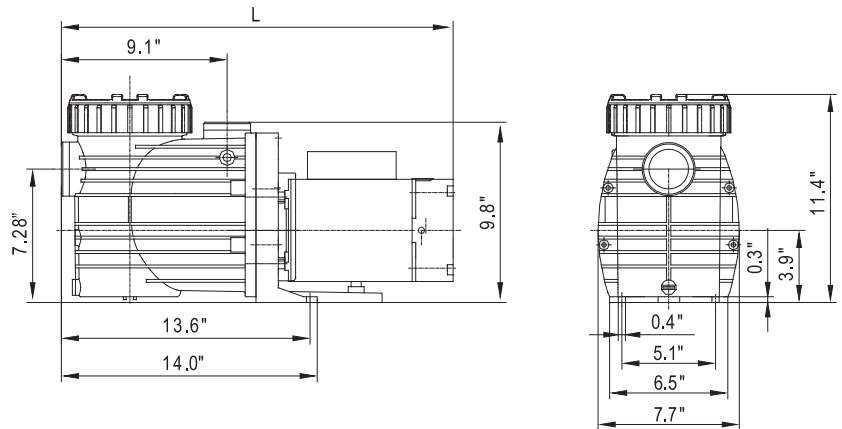
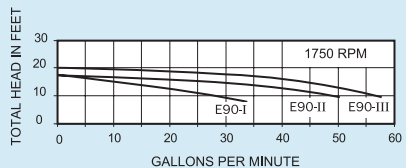
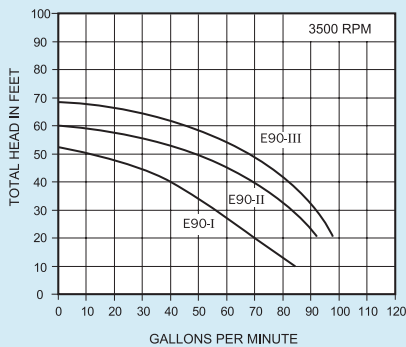
Model E90-II



## features

- This high performance, medium head pump comes complete with an industry standard  $\frac{5}{8}$ " mechanical seal for convenient replacement.
- Pump parts are made of 100% recyclable plastic. Non-corrosive, chemical/UV resistant, and can withstand temperatures of up to 150° F. Suction and discharge ports are reinforced with aluminum rings.
- For pool users' safety, the impeller has a dielectric shaft sleeve that provides absolute separation between pool water and electric parts.
- Specially constructed clear lid with lock ring design is easy to open. Large strainer basket is always locked in place.
- A variety of cord sets are available.
- Pump is equipped with a durable, economical 48 frame motor. Dual voltage motor has two compartments with sealed contacts, stainless steel shaft and Neptune® Advanced Switch Technology.
- Available in 115V only for above-ground pools or 115/230V for small in-ground pools.
- Motor is easy to remove without disturbing the plumbing. Reusable o-rings throughout.
- The Model E90 comes with a full 12 month warranty.
- Every pump is performance tested before leaving the Speck factory.

### MODEL E90 PERFORMANCE CURVE



### MODEL E90 TECHNICAL DATA

MODEL	THP	S.F.	PIPE SIZE	DIMENSION "L"	SHIPPING WEIGHT
E90-I	$\frac{3}{4}$	1.0	1 $\frac{1}{2}$ "	32.0"	28 lbs.
E90-II	1	1.0	1 $\frac{1}{2}$ "	32.0"	30 lbs.
E90-III	1 $\frac{1}{2}$	1.0	1 $\frac{1}{2}$ "	32.0"	33 lbs.

Motors 115 Volts only for above-ground pools and 115/230 Volts for in-ground pools.

Also available with 2-speed motors.