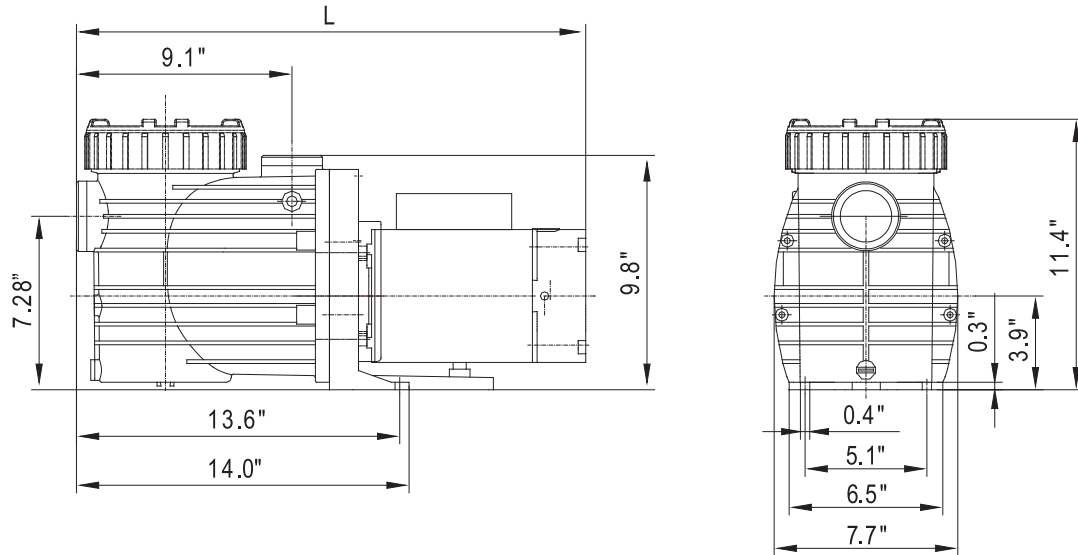


Model E90

Swimming Pool Pump



MODEL E90 TECHNICAL DATA

MODEL	HP	S.F.	PIPE SIZE	DIMENSION "L"	SHIPPING WEIGHT
E90-I	3/4	1.0	1 1/2"	32.0"	28 lbs.
E90-II	1	1.0	1 1/2"	32.0"	30 lbs.
E90-III	1 1/2	1.0	1 1/2"	32.0"	33 lbs.

*Motors 115 Volts only for above-ground pools and 115/230 Volts for in-ground pools.
Two (2) speed motors available (1 THP @ 115 Volts)*