

# Cartridge Filters

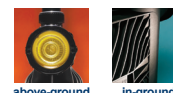


## Model ACF

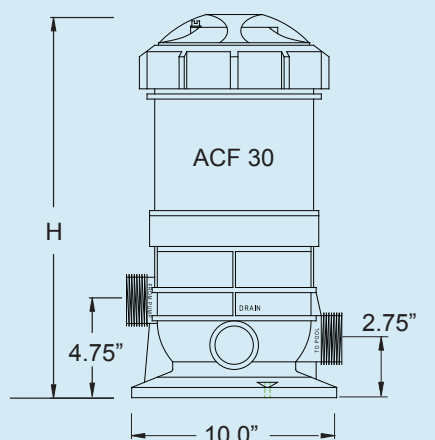
The Aquaswim cartridge filters have been specifically designed for in-ground, on-ground, and above-ground pools. The injection molded tank provides durability and years of dependable service. The 100% polyester media cartridge provides excellent water clarity. Available in sizes from 30 to 180 sq. Ft.

### features

- The filter is designed with a lock ring lid closer to make access to the cartridge for cleaning a snap.
- Cartridge with 100% polyester media provides long cleaning cycles and results in long cartridge life.
- Built-in air relief valve and pressure gauge.
- Equipped with 1½" quick disconnect unions and large 1½" drain plug for easy debris removal.
- Injection molded tank construction provides dependable corrosion-free performance.
- Every filter is performance tested before leaving the factory.



### AC FILTER DIMENSIONAL DRAWING



### AC FILTER TECHNICAL DATA

MODEL	FILTRATION AREA SQ. FT.	MAX FLOW RATE GPM*	MAX POOL CAPACITY GALLONS**	HEIGHT DIMENSION (INCHES)
ACF 30	30	30	14,000	18.00"
ACF 60	60	60	28,000	22.50"
ACF 90	90	90	43,000	28.00"
ACF 120	120	120	57,000	33.75"
ACF 150	150	150	72,000	40.75"
ACF 180	180	180	86,000	45.00"
<b>MAX OPERATING PRESSURE</b>		50 PSI		
<b>MAX OPERATING TEMPERATURE</b>		130° F		
<b>PORT SIZE</b>		1½"		

\*Rated flow based on a maximum of 1 GPM per sq. ft. of filter area.

\*\*Pool capacity in gallons based on 8 hour turnover.