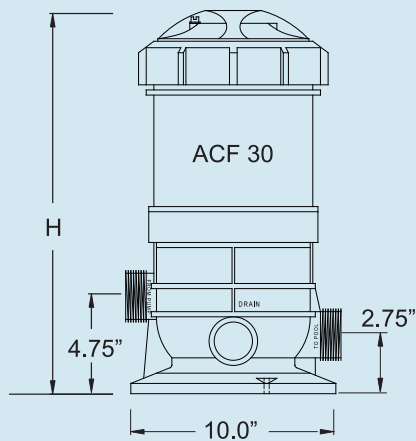


Model ACF

Cartridge Filters



AC FILTER DIMENSIONAL DRAWING



AC FILTER TECHNICAL DATA

MODEL	FILTRATION AREA SQ. FT.	MAX FLOW RATE GPM*	MAX POOL CAPACITY GALLONS**	HEIGHT DIMENSION (INCHES)
ACF 30	30	30	14,000	18.00"
ACF 60	60	60	28,000	22.50"
ACF 90	90	90	43,000	28.00"
ACF 120	120	120	57,000	33.75"
ACF 150	150	150	72,000	40.75"
ACF 180	180	180	86,000	45.00"

MAX OPERATING PRESSURE 50 PSI

MAX OPERATING TEMPERATURE 130° F

PORT SIZE 1½"

*Rated flow based on a maximum of 1 GPM per sq. ft. of filter area.

**Pool capacity in gallons based on 8 hour turnover.